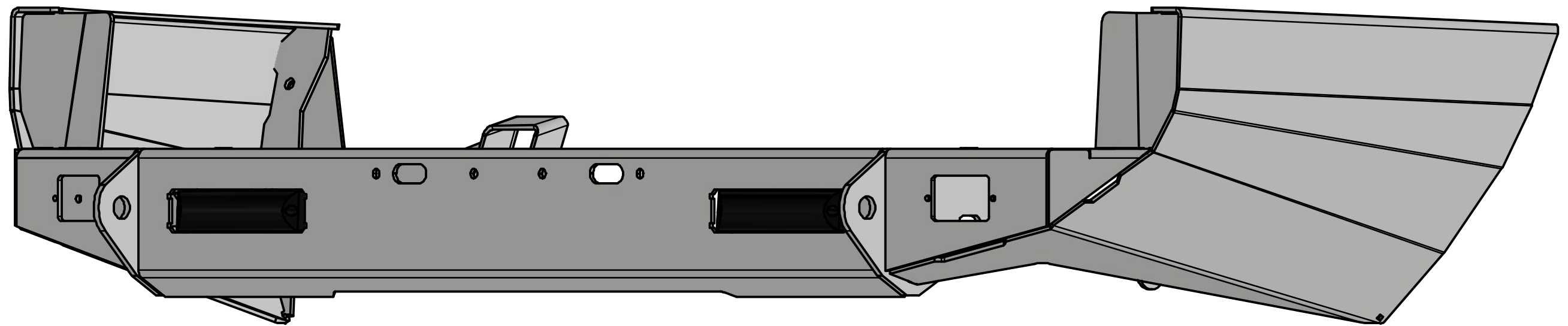


TCC GU PATROL REAR BAR

FITTING INSTRUCTIONS

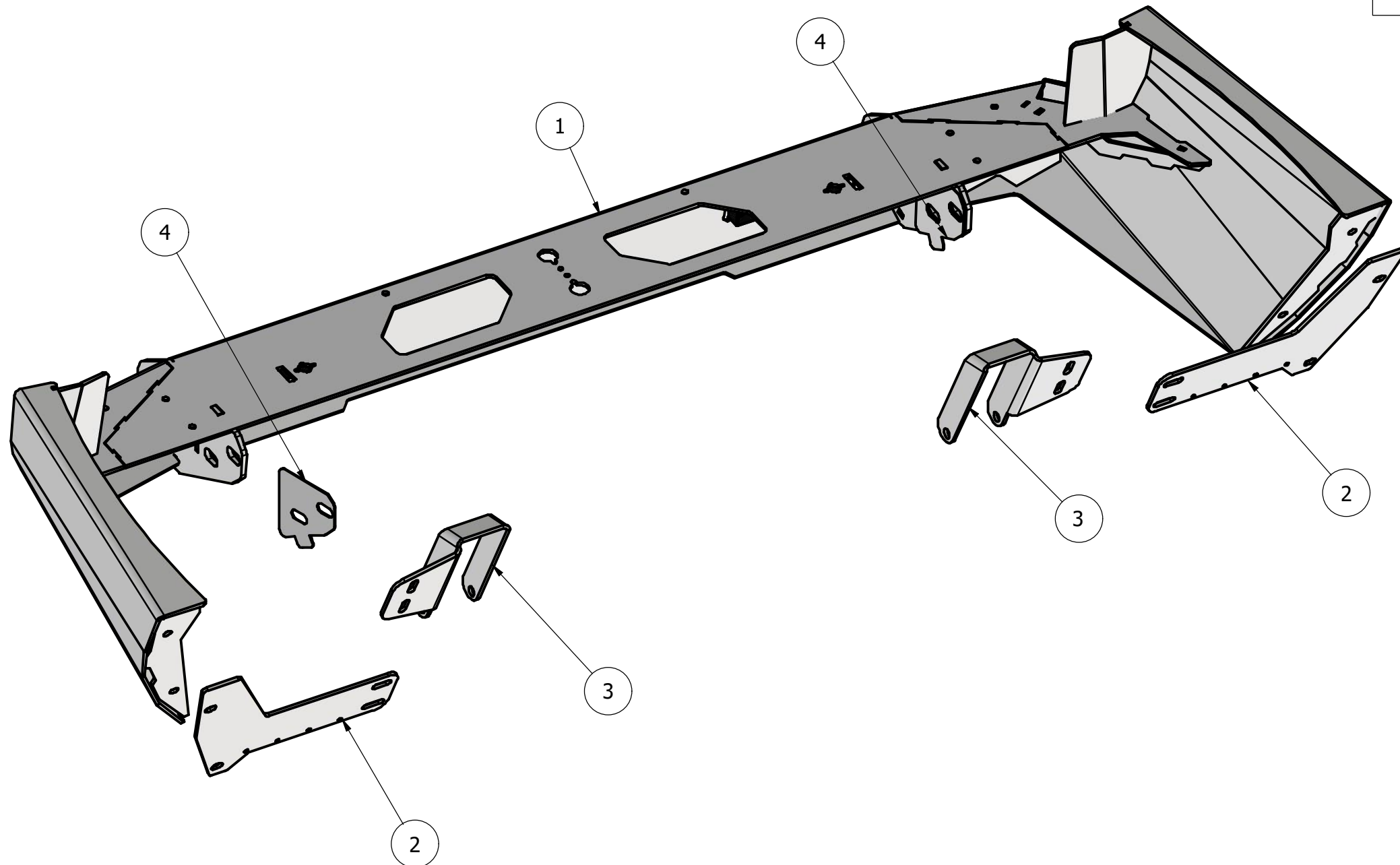
** BAR BASE ONLY - JERRY HOLDER, CARRIER ARM, LATCH & TYRE UPRIGHT
INSTRUCTIONS FOUND AT: www.thecruisercompany.com.au*



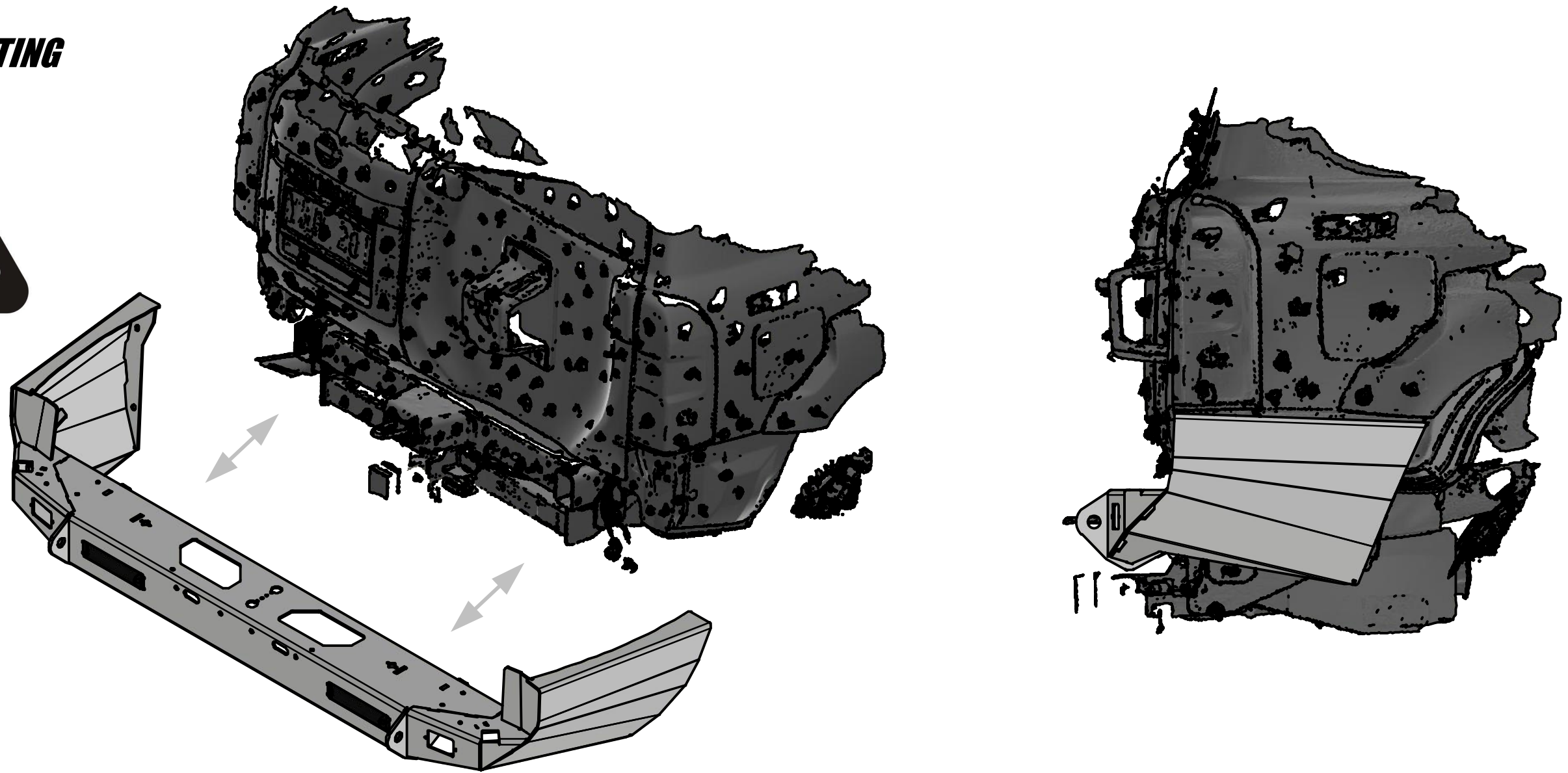
NOTE: PLEASE INSTALL TAIL LIGHTS, REVERSE LIGHTS AND LATCH HOOK PLATES (REF. LATCH INSTRUCTIONS) BEFORE PROCEEDING

PARTS LIST		
ITEM	QTY	DESCRIPTION
1	1	GU BAR BASE
2	2	GU WING TO CHASSIS PLATE
3	2	GU CHASSIS CLAMPS
4	2	GU CHASSIS SHIM
5	2	ROADVISION REVERSE LIGHTS
6	2	ROADVISION TAIL LIGHTS

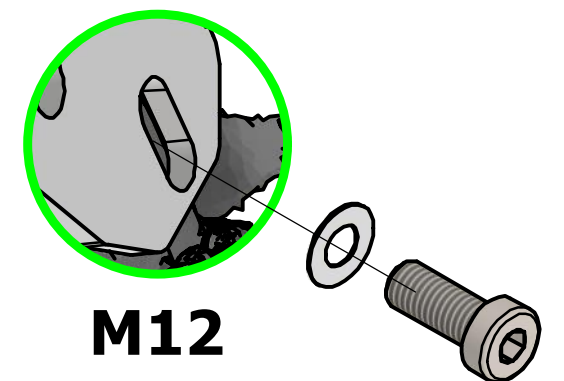
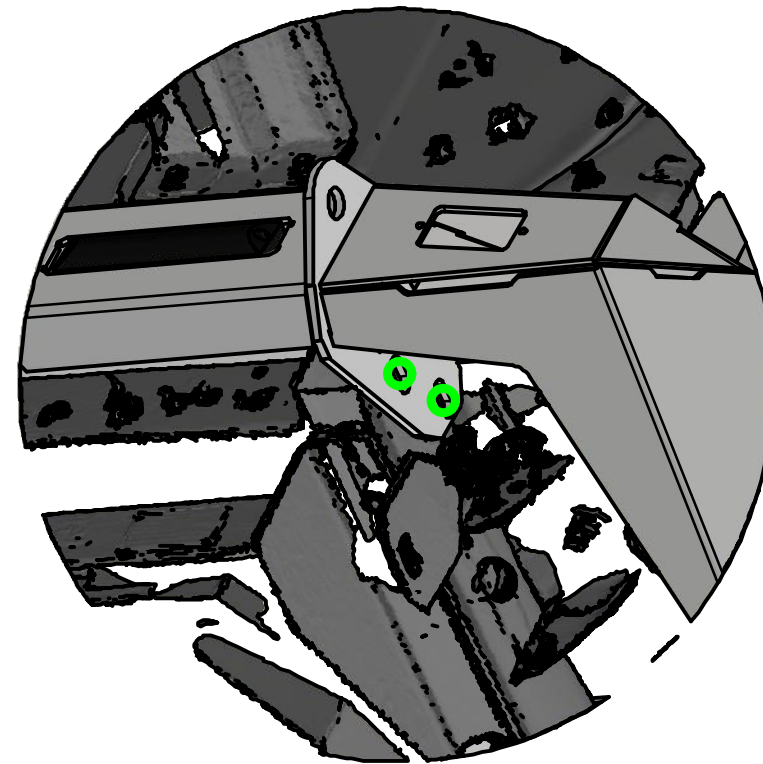
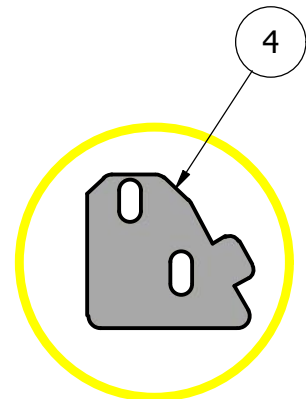
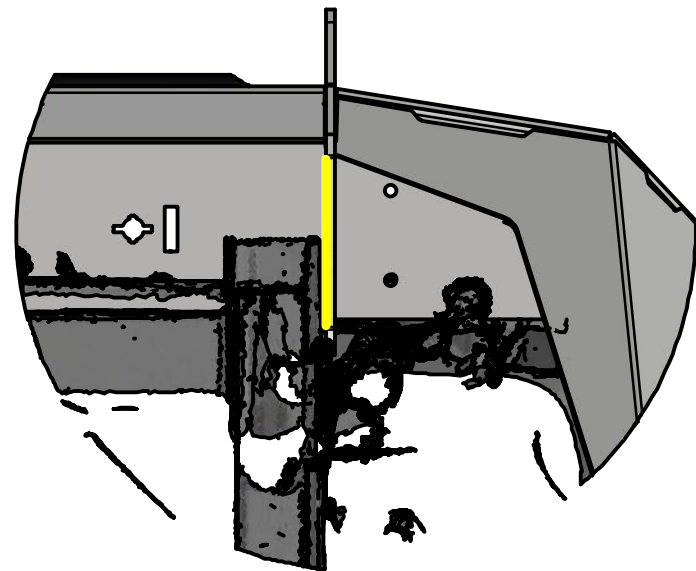
HARDWARE KIT (INCLUDED)	
QTY	DESCRIPTION
2	M10 x 100mm BOLT
4	M10 WASHER
2	M10 HEX NUT
4	M12 BOLT
4	M12 WASHER
8	M8 BOLT
16	M8 WASHER



1. BAR BASE FITTING

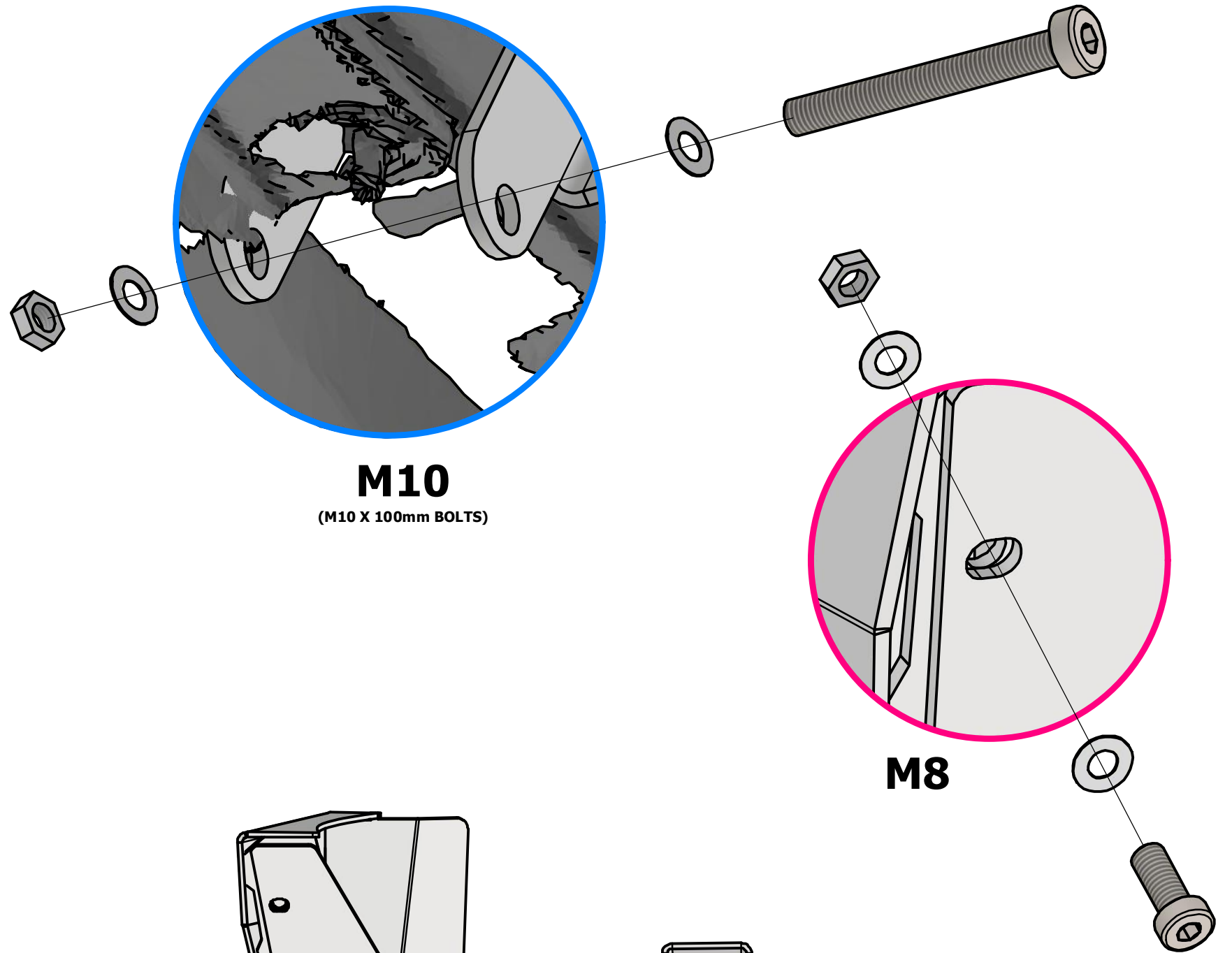
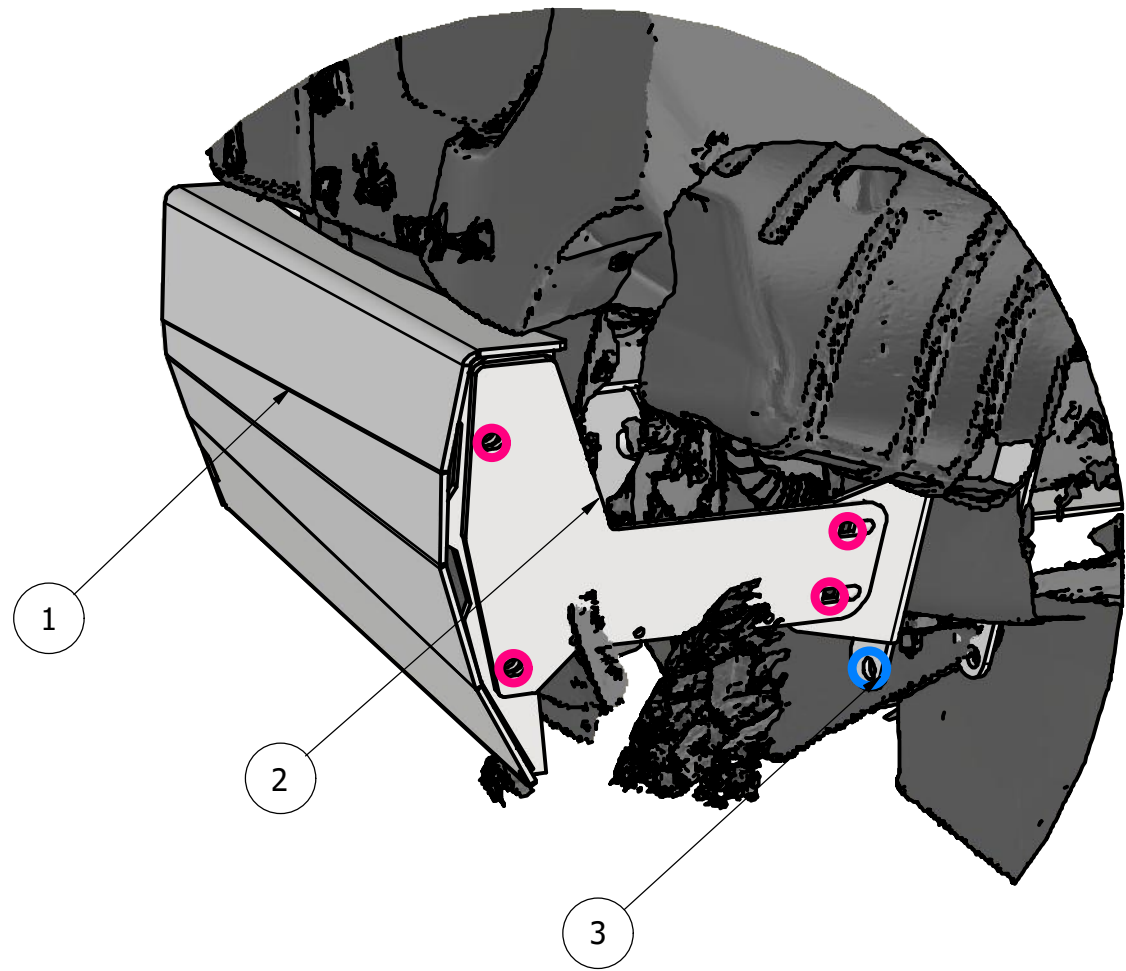


2. ADJUSTMENT AND MOUNTING



(ONLY REQUIRED IF GAP PRESENT)

3. WING TO CHASSIS PLATE & CLAMP MOUNTING



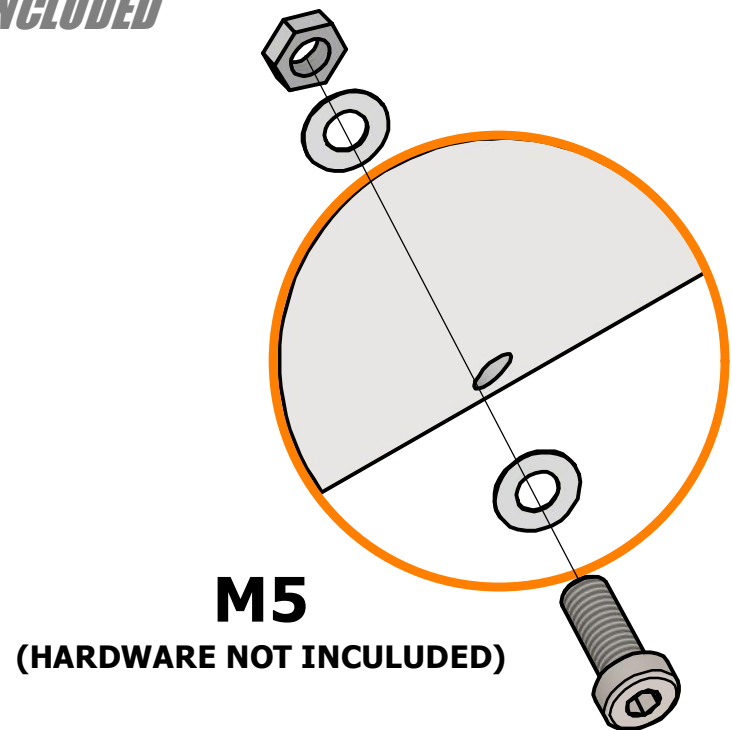
M10

(M10 X 100mm BOLTS)

M8

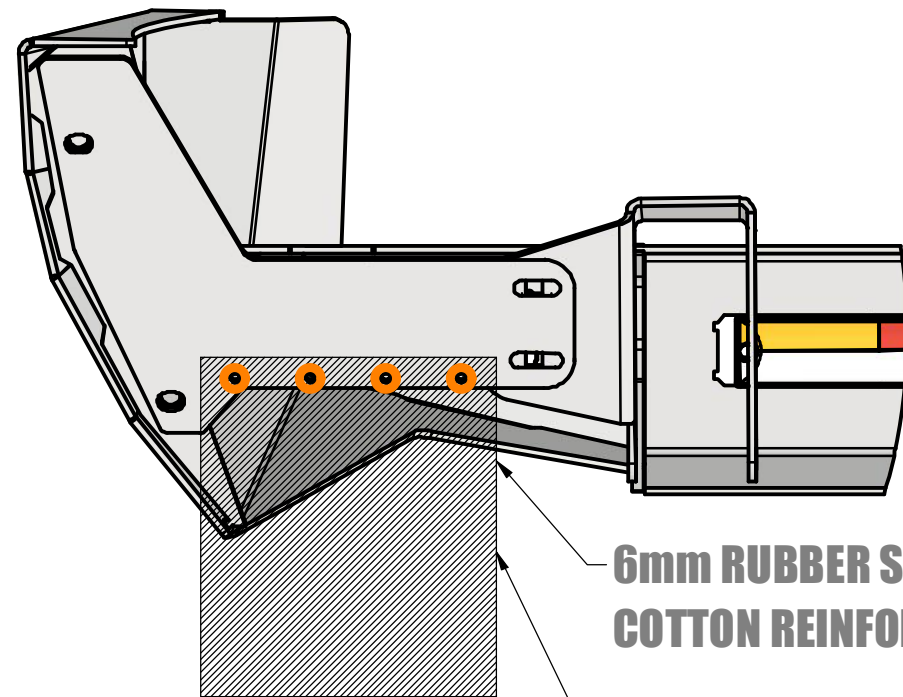
4. CUT AND MOUNT MUDFLAPS

**MUDFLAPS NOT INCLUDED*



M5

(HARDWARE NOT INCLUDED)



**6mm RUBBER SHEET W/
COTTON REINFORCED LAYER (OR SIMILAR)**

**LENGTH & WIDTH MUST LEGALLY
COVER WHEEL (REFER TO APPLICABLE LAWS)**

FOR INQUIRIES & SUPPORT PLEASE CONTACT:

PH: (03) 9120 8814

EMAIL: sales@thecruisercompany.com.au