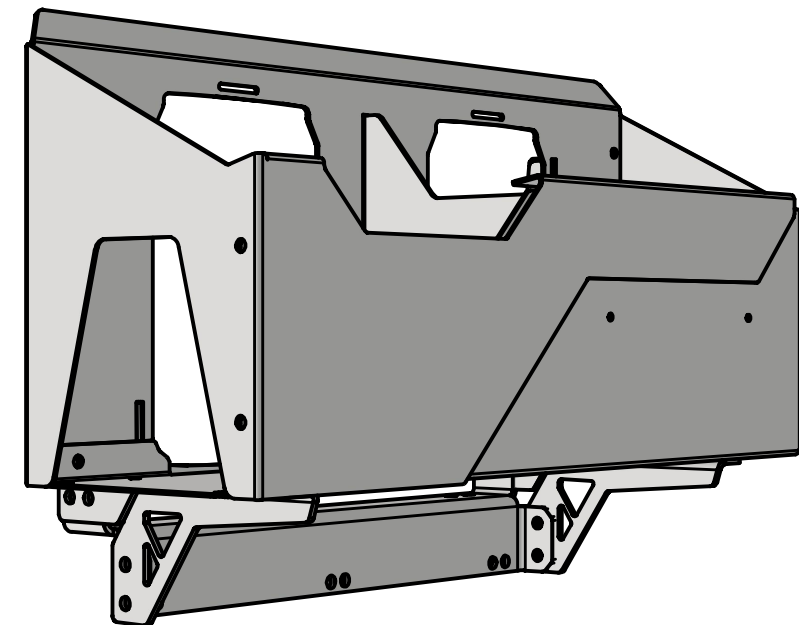
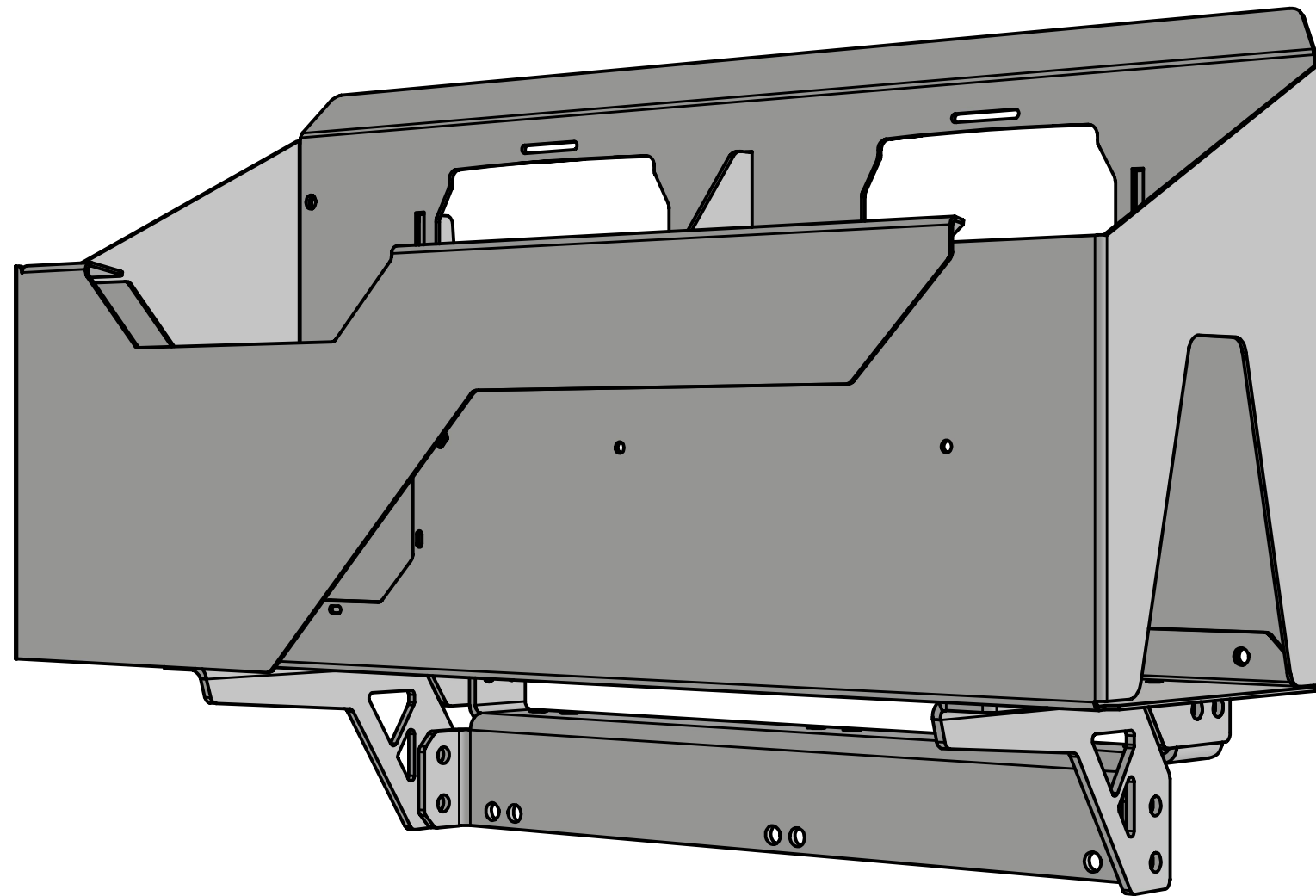
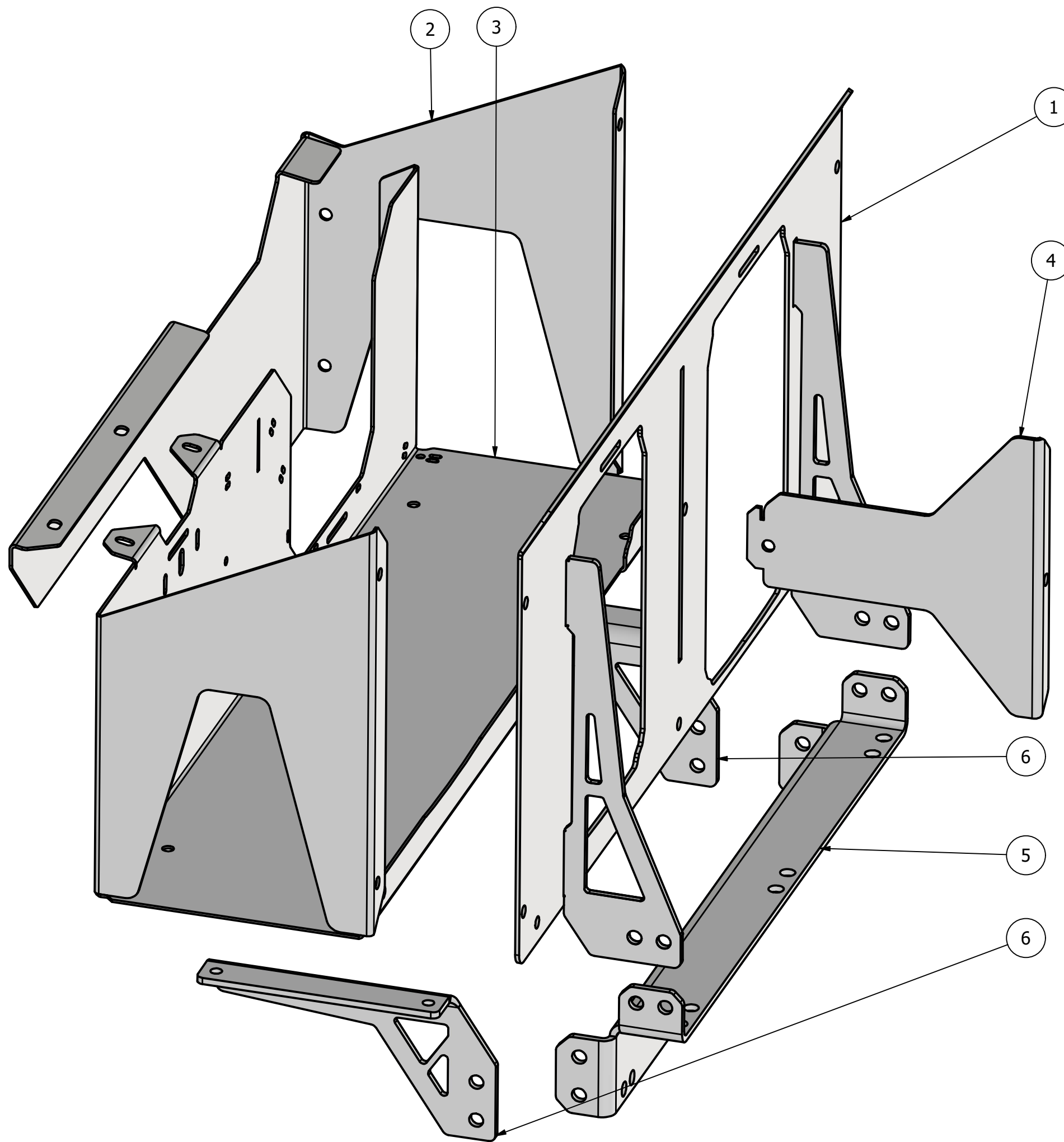


TCC JERRY/GAS HOLDER

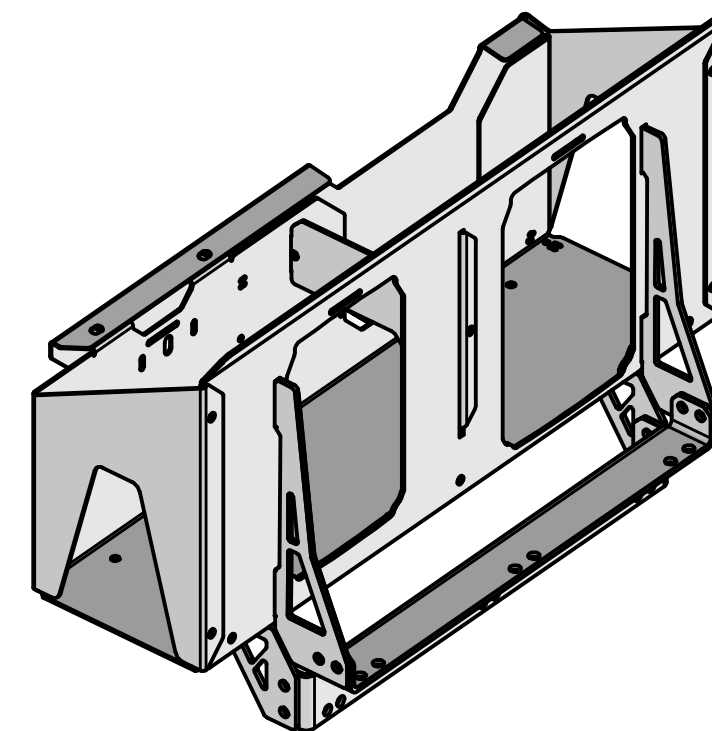
ASSEMBLY INSTRUCTIONS





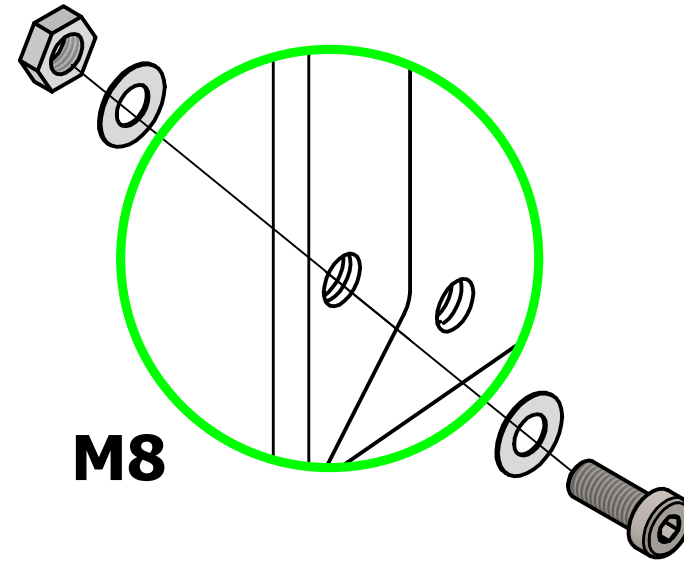
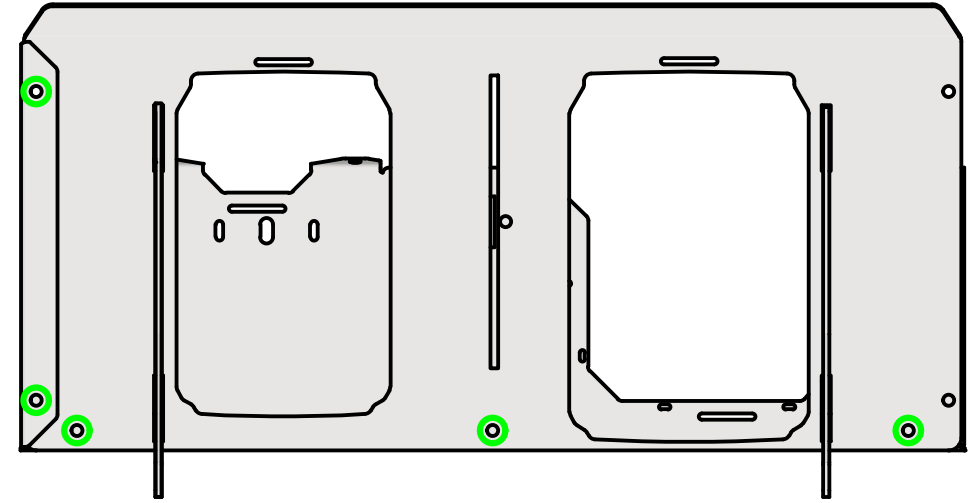
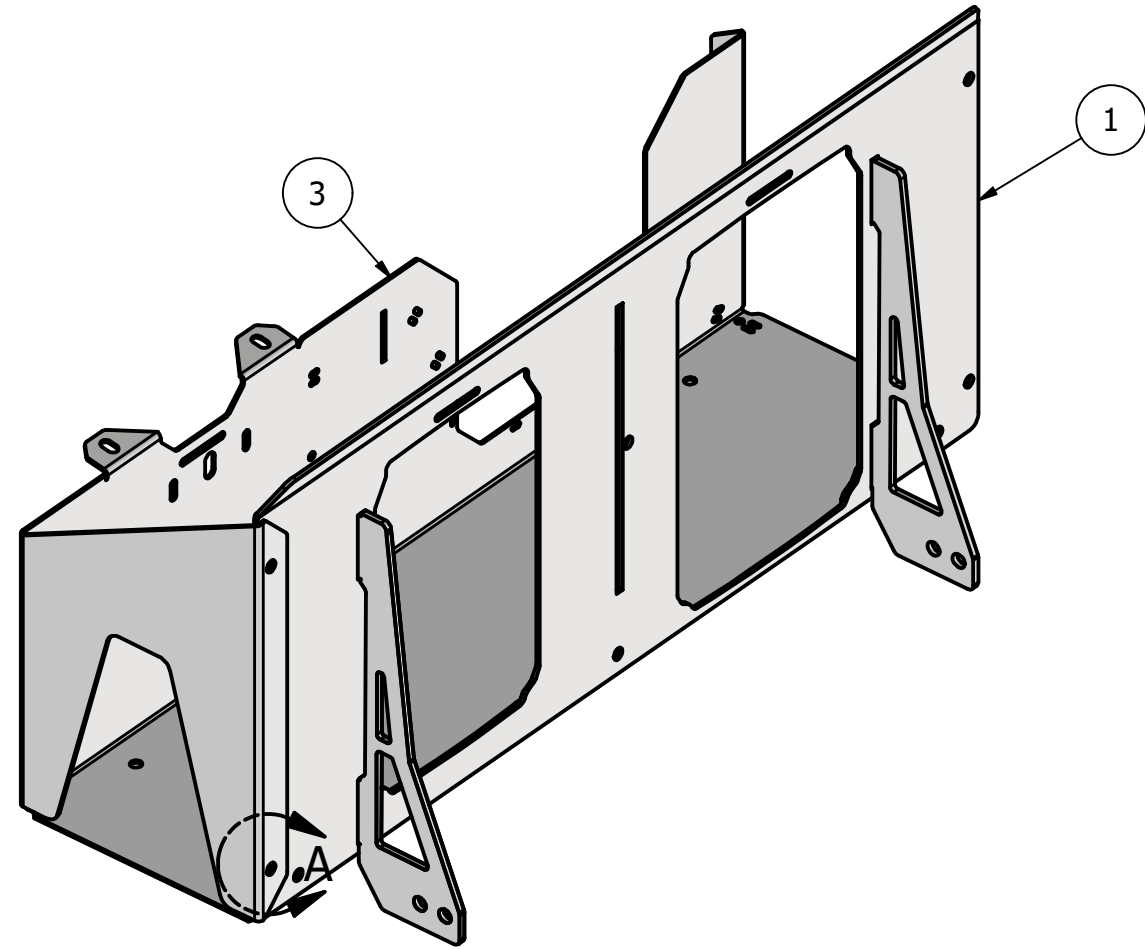
PARTS LIST		
ITEM	QTY	DESCRIPTION
1	1	JERRY BACKING
2	1	JERRY FRONT COVER
3	1	JERRY INTERNAL
4	1	JERRY DIVIDER
5	1	UNIVERSAL SHELF BASE
6	2	JERRY LOWER GUSSET

HARDWARE KIT (INCLUDED)	
QTY	DESCRIPTION
8	M10 X 25mm BUTTON HEAD BOLTS
6	M10 X 20mm BUTTON HEAD BOLTS
28	M10 WASHERS
14	M10 NUTS
16	M8 x 20mm BUTTON HEAD BOLTS
32	M8 WASHERS
16	M8 NUTS

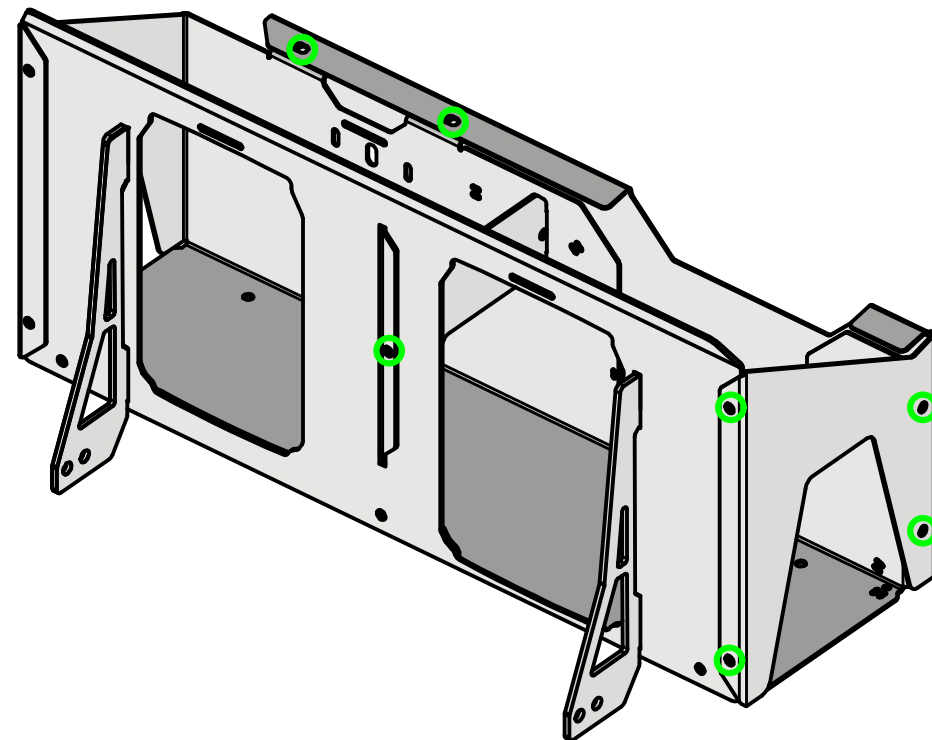
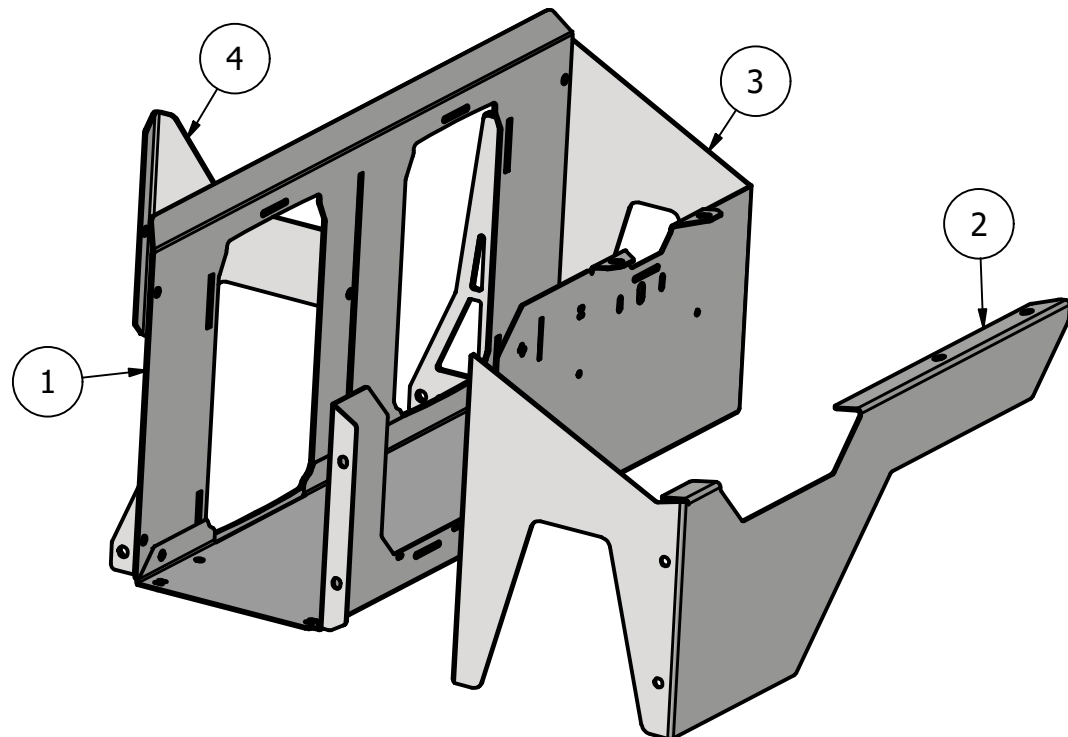


FULLY ASSEMBLED

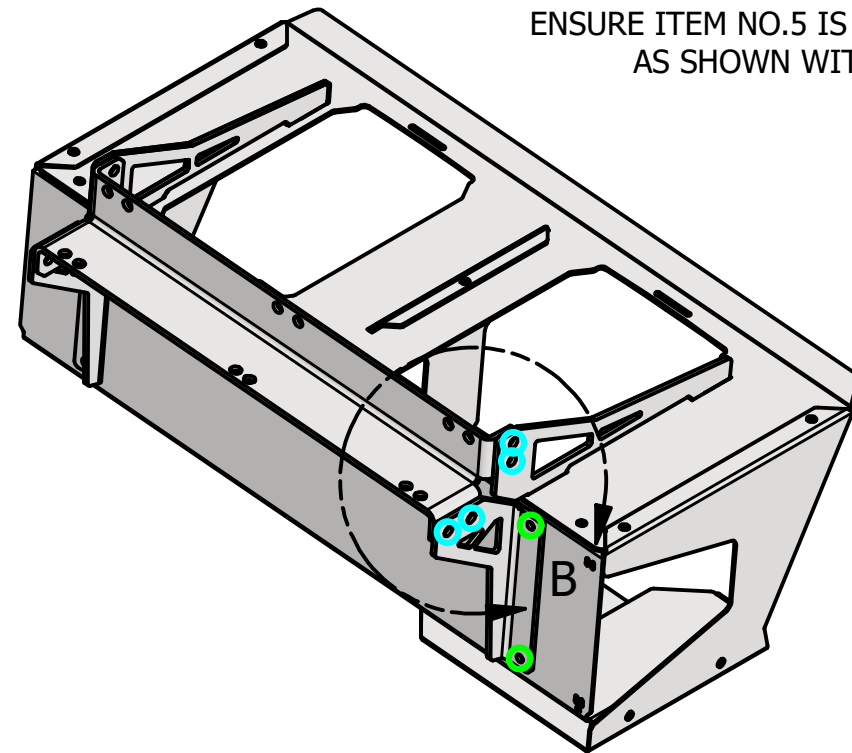
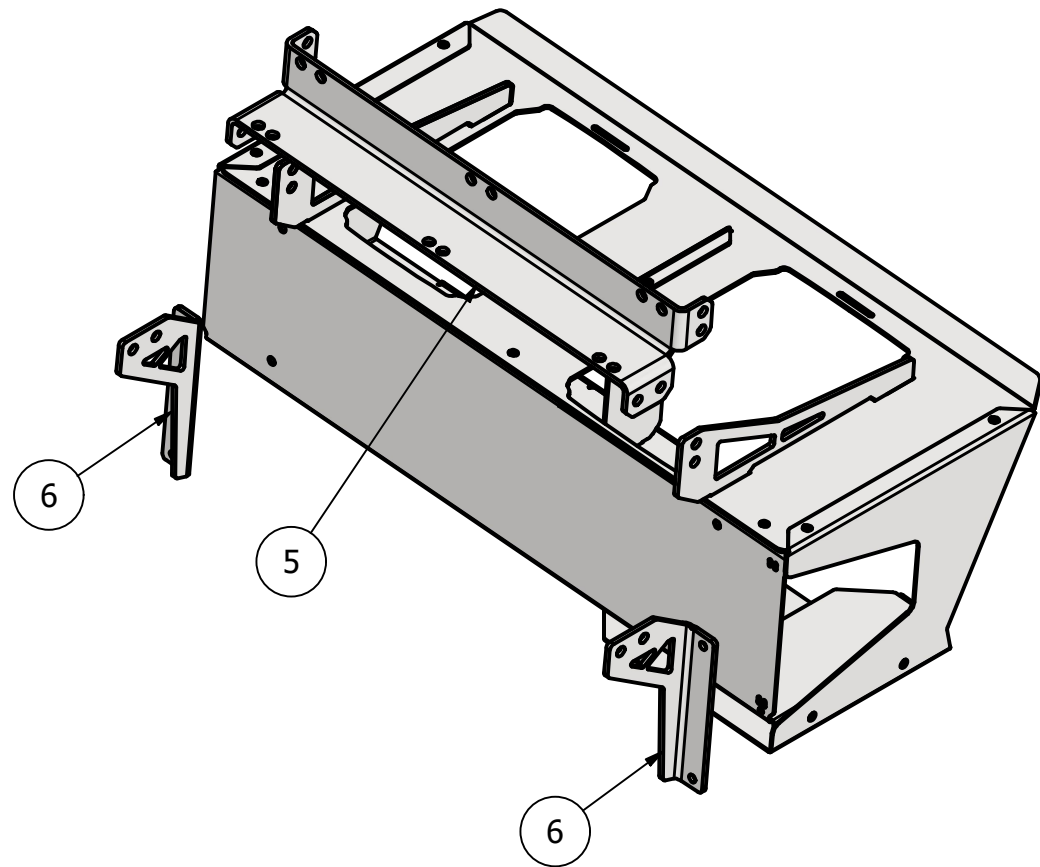
1. JERRY BODY CONSTRUCTION



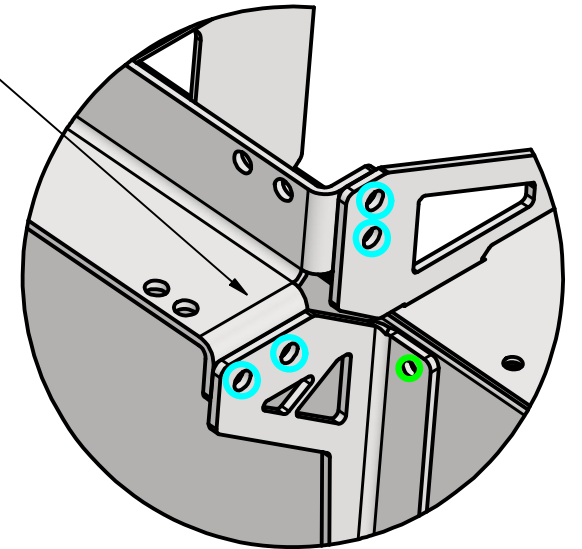
2. JERRY BODY CONSTRUCTION



3. ATTACH UNIVERSAL MOUNT

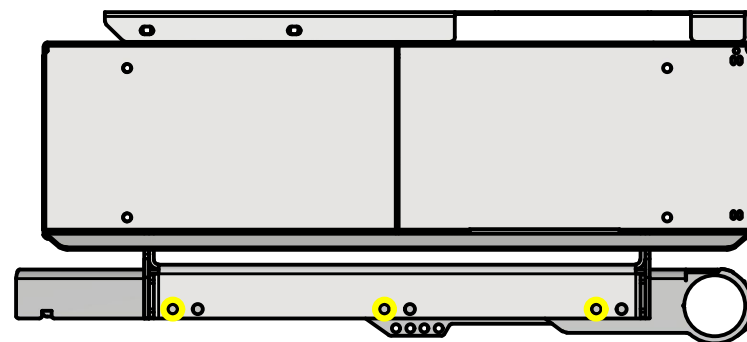
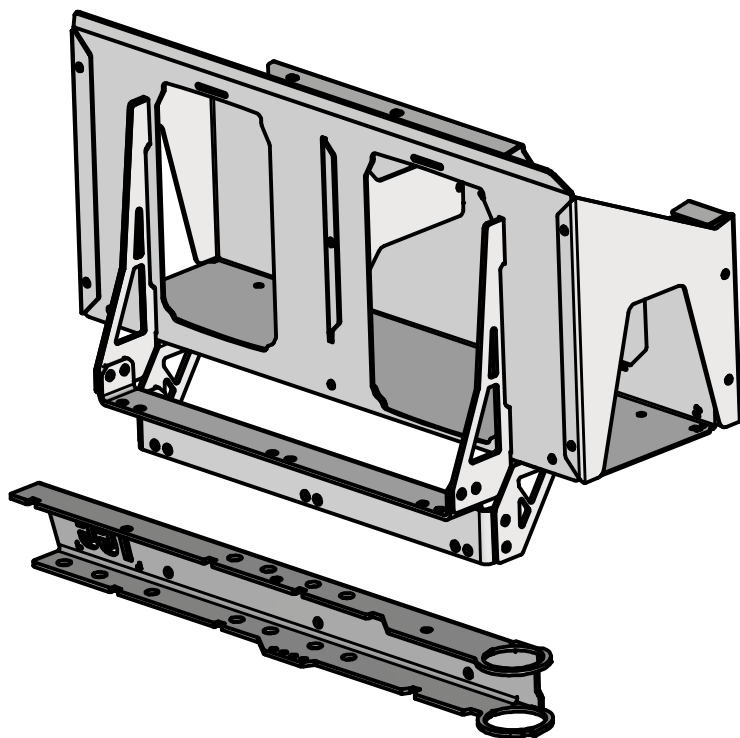


ENSURE ITEM NO.5 IS POSITIONED AS SHOWN WITHIN MOUNTS



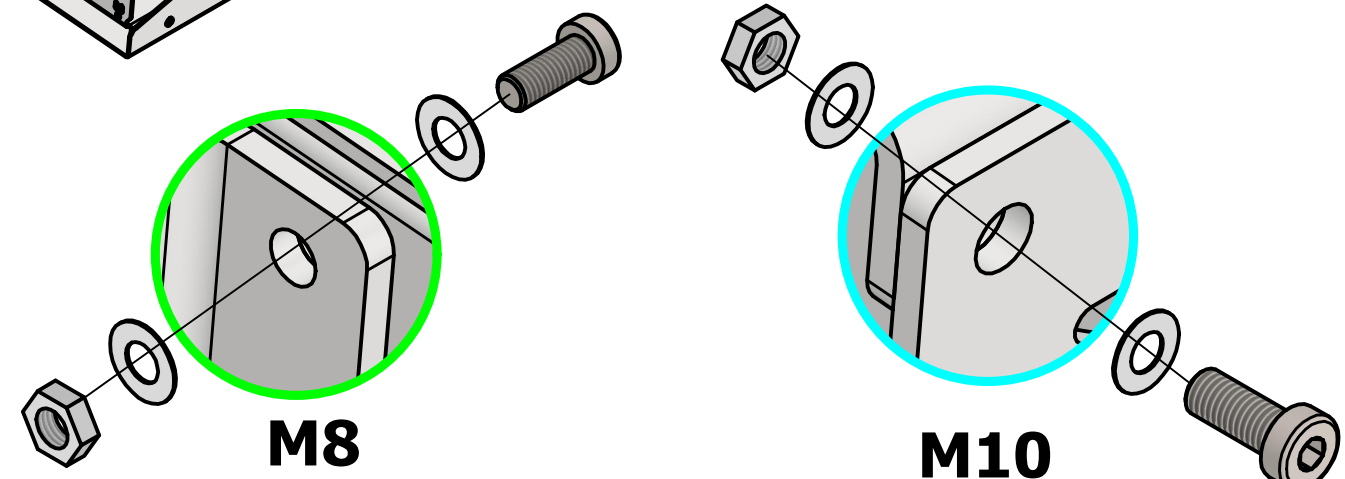
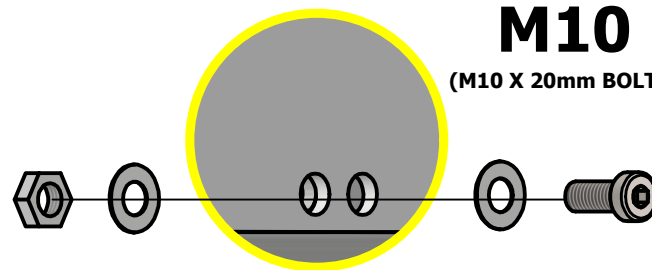
DETAIL B

4. ATTACH ASSEMBLY TO CARRIER ARM



M10

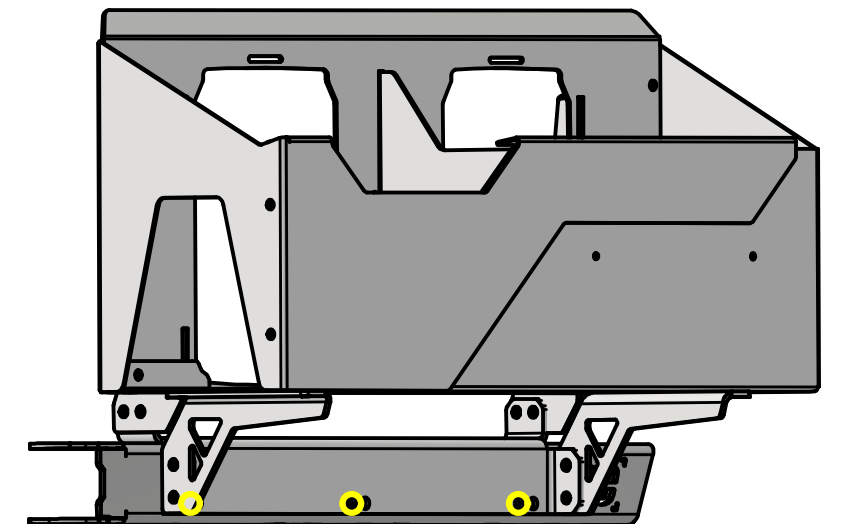
(M10 X 20mm BOLTS)



M8

M10

(M10 X 25mm BOLTS)



FOR INQUIRIES & SUPPORT PLEASE CONTACT:

PH: (03) 9120 8814

EMAIL: sales@thecruisercompany.com.au